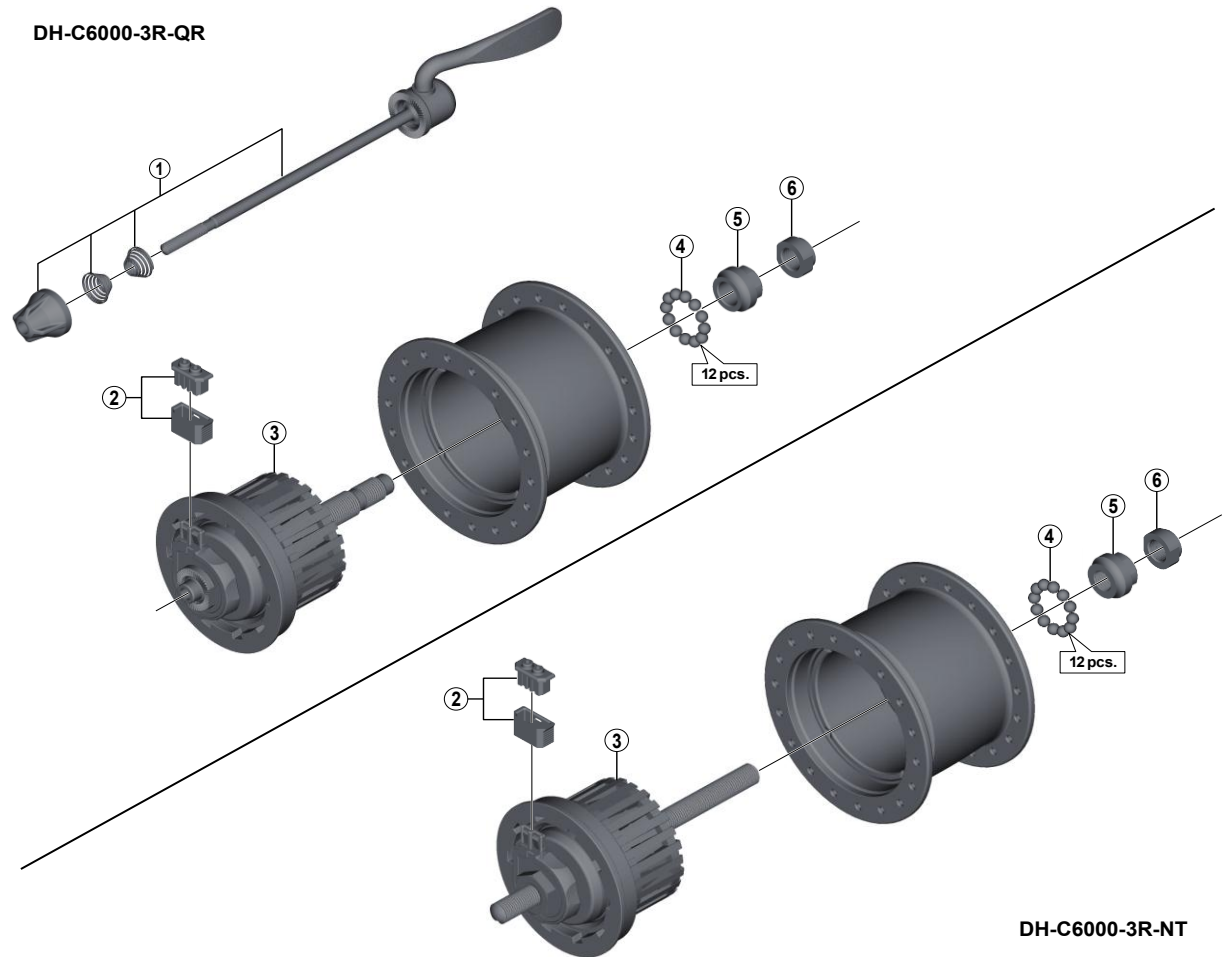


Nexus Hub Dynamo
DH-C6000-3R-QR 6V-3W / Hub Roller Brake Compatible
DH-C6000-3R-NT 6V-3W / Hub Roller Brake Compatible



DH-C6000-3R-QR
 DH-C6000-3R-NT

ITEM NO.	SHIMANO CODE NO.	DESCRIPTION	INTERCHANGEABILITY	
1	Y2ST98030	Complete Quick Release 133 mm (5-1/4")	A	
2	Y2SS98030	Connector Cap & Cover	A	
3	Y29M98010	Internal Assembly (Silver / Axle Length 108 mm) for DH-C6000-3R-QR		
	Y29M98020	Internal Assembly (Black / Axle Length 108 mm) for DH-C6000-3R-QR		
	Y29N98010	Internal Assembly (Silver / Axle Length 140 mm) for DH-C6000-3R-NT		
	Y29N98020	Internal Assembly (Black / Axle Length 140 mm) for DH-C6000-3R-NT		
4	Y00091210	Steel Ball (3/16") 20 pcs.	A	A
5	Y2ZM17000	Left Hand Cone (M11 x 12 mm) for DH-C6000-3R-QR		
	Y29H04000	Left Hand Cone (M9 x 12 mm) for DH-C6000-3R-NT	A	
6	Y31Z0601R	Left Hand Cone Lock Nut (M10 x 7.1 mm) for DH-C6000-3R-QR		
	Y22V0400R	Left Hand Cone Lock Nut (M9 x 7.1 mm) for DH-C6000-3R-NT	A	

Nov.-2014-3815
 © Shimano Inc.H

Specifications are subject to change without notice.

SHIMANO